

FICHE D'HOMOLOGATION / HOMOLOGATION FORM




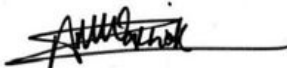


042-CA-19



COMMISSION
INTERNATIONALE
DE KARTING - FIA



CARBURATEUR / CARBURETTOR OK

Constructeur / <i>Manufacturer</i>	Tillotson Ltd.
Marque / <i>Make</i>	Tillotson
Modèle / <i>Model</i>	HC-119
Catégorie / <i>Categorie</i>	Group 2
Durée de l'homologation / <i>Validity of the Homologation</i>	3 ans / 3 years
Nombre de pages / <i>Number of pages</i>	6
La présente Fiche d'Homologation reproduit descriptions, illustrations et dimensions du carburateur au moment de l'homologation CIK-FIA.	<i>This Homologation Form reproduces descriptions, illustrations and dimensions of the carburettor at the moment of the CIK-FIA homologation.</i>
	
Photo côté aspiration / <i>Photo of inlet side</i>	Photo côté réglage / <i>Photo of adjusting side</i>
Signature et tampon de l'ASN / <i>Signature and stamp of the ASN</i>	Signature et tampon de la CIK-FIA / <i>Signature and stamp of the CIK-FIA</i>
 	 

042-CA-19

Photo vue arriere / Photo view from behind

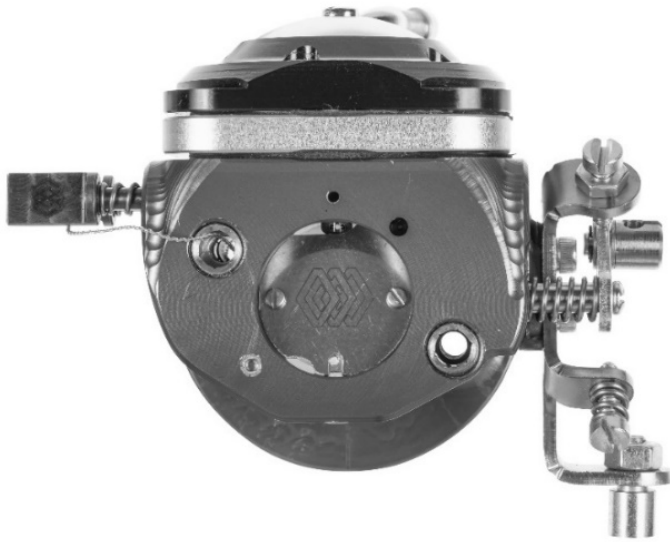


Photo côté oppose réglage / Photo opposite to adjusting side



Photo vue de dessus / Photo view from above



Photo vue de dessous / Photo view from underneath



Photo vue de dessus / *Photo view from above (body)*

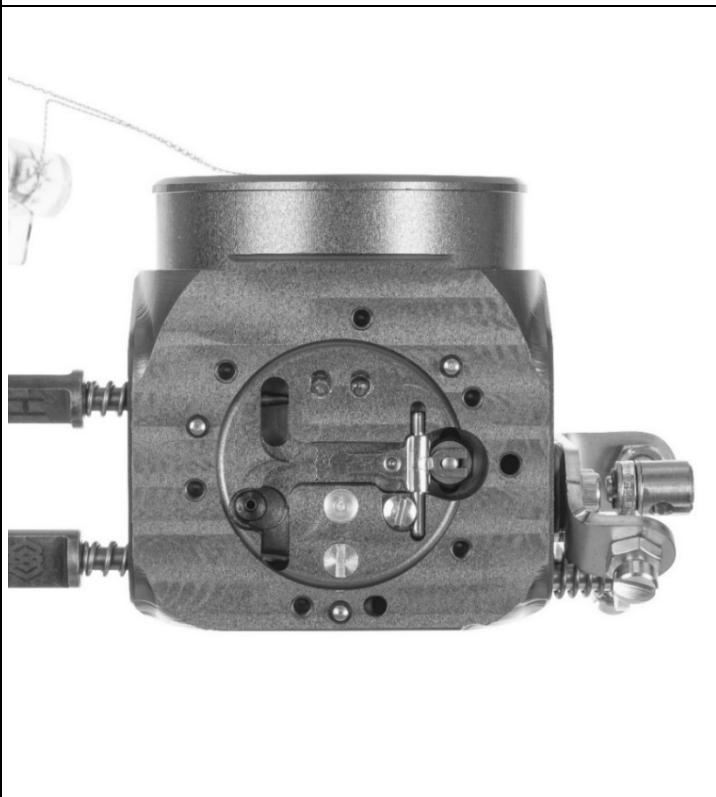
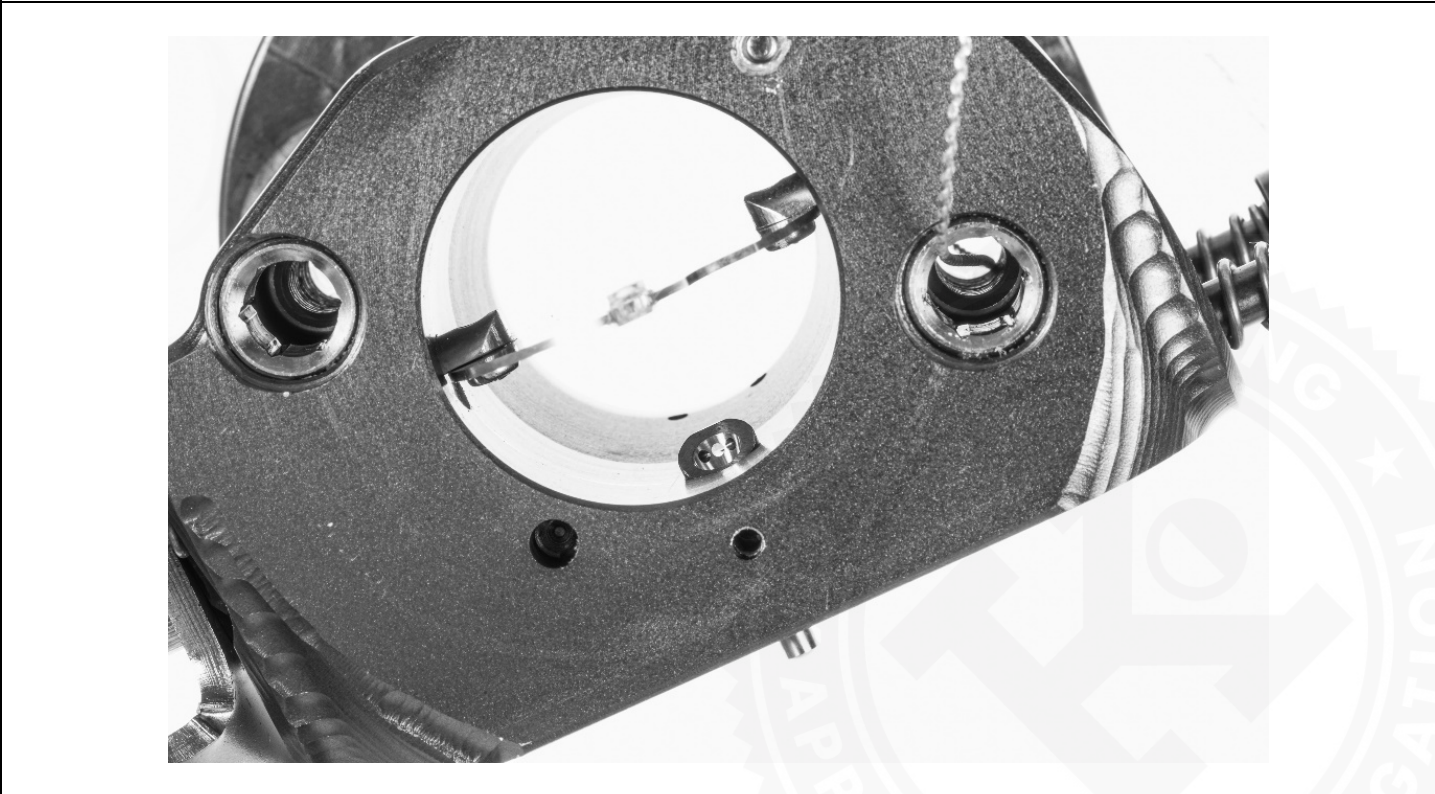


Photo côté aspiration (vue additionnelle) / *Photo of inlet side (additional view)*

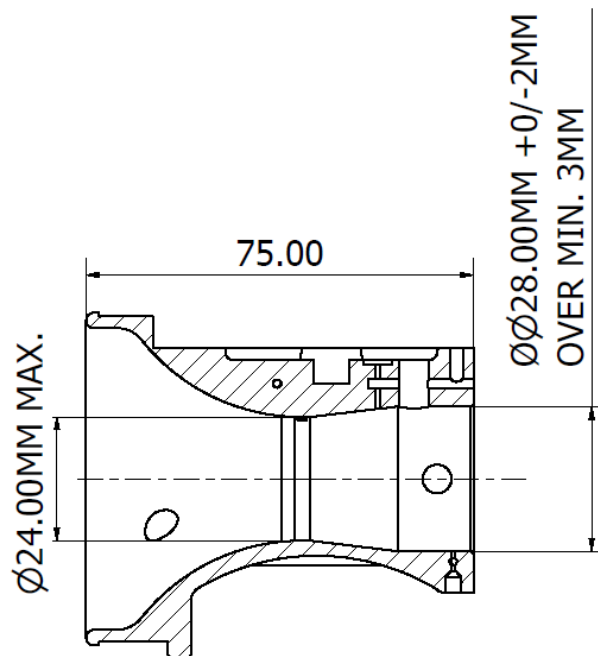


Photo vue arriere (vue additionnelle) / *Photo view from behind (additional view)*



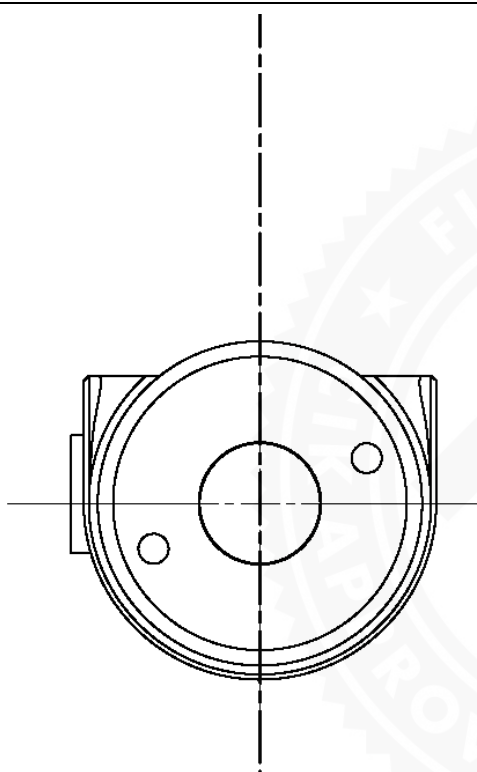
**Vue en section conduit d'aspiration /
Inlet port section view**

Echelle 1:1 / 1:1 Scale



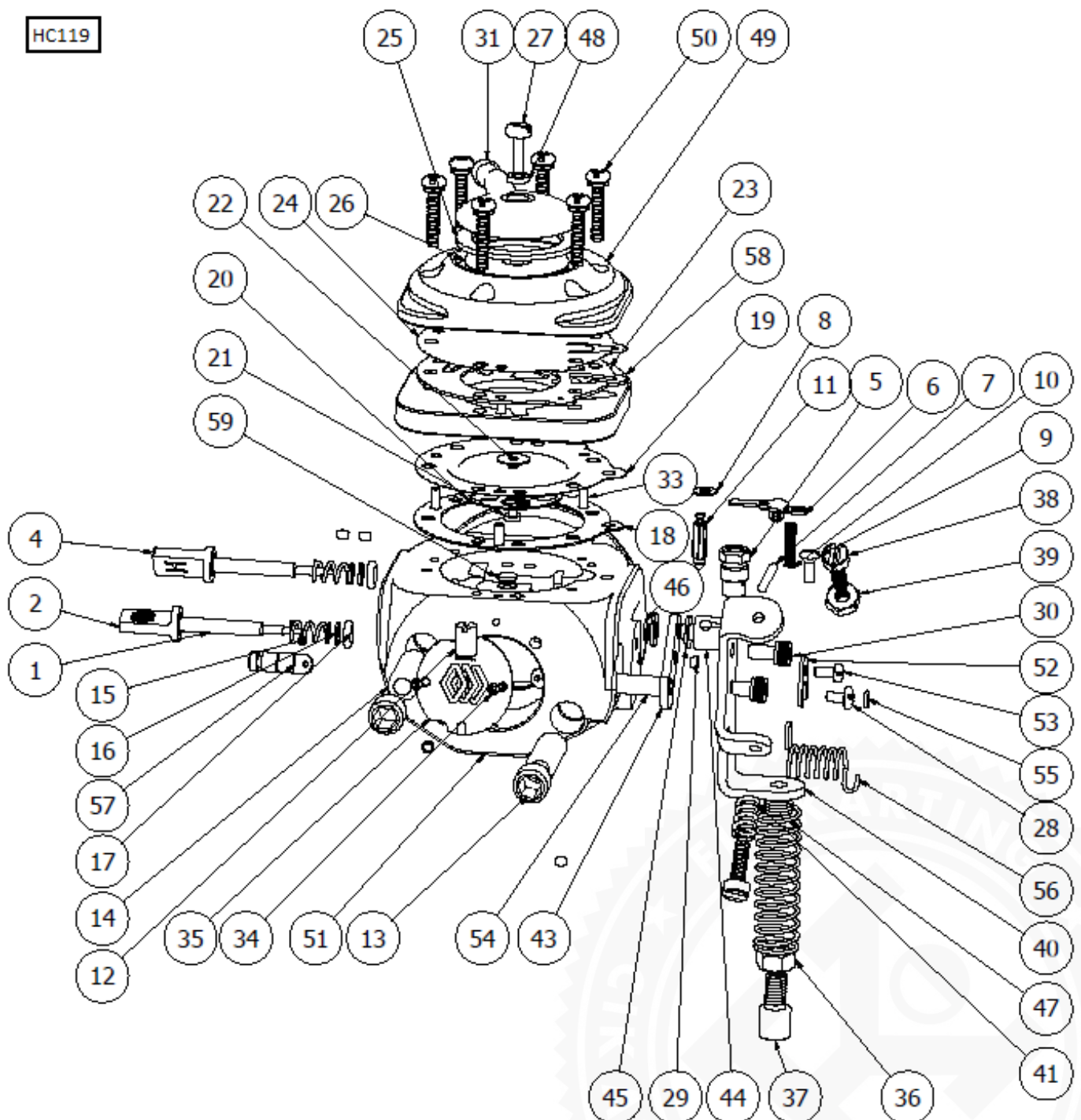
**Vue de face côté aspiration /
Inlet side front view**

Echelle 1:1 / 1:1 Scale



Description du carburateur et esquisse des pièces / Carburettor description and sketch of parts

HC119



Description du carburateur et esquisse des pièces / *Carburettor description and sketch of parts*

HC119

PARTS LIST	
ITEM	DESCRIPTION
1	M4 X 0.5 ADJUSTMENT SCREW
2	ADJUSTMENT SCREW CAP L
4	ADJUSTMENT SCREW CAP H
5	* INLET SEAT
6	* INLET VALVE CONTROL LEVER
7	FULCRUM LEVER PIN
8	* COPPER GASKET, INLET SEAT
9	FULCRUM LEVER SCREW
10	INLET TENSION SPRING
11	+ INLET NEEDLE
12	IDLE NOZZLE
13	RETAINING NUT
14	CARBURETTOR MOUNTING NUT
15	ADJUSTMENT SCREW SPRING
16	ADJUSTMENT SCREW WASHER
17	ADJUSTMENT SCREW O-RING
18	*+ METERING GASKET
19	DIAPHRAGM
20	DIAPHRAGM PLATE
21	DIAPHRAGM BUTTON
22	WASHER
23	*+ PUMP GASKET
24	FUEL PUMP DIAPHRAGM
25	*+ STRAINER GASKET
26	FUEL STRAINER SCREEN
27	COVER SCREW
28	LEVER SCREW
29	BRASS PLUG
30	M4 X 0.7 SOCKET CAP SCREW
31	FUEL STRAINER COVER
33	PIN
34	M2 X .4 SCREW
35	THROTTLE SHUTTER
36	M6 X 1 NUT
37	M6 X 1 CABLE HOUSING SCREW
38	LIMITER SCREW
39	8 - 32 UNC NUT
40	CABLE BRACKET
41	SPEED CREW SPRING
43	THROTTLE LEVER
44	CABLE CONNECTOR
45	WASHER
46	E-CLIP
47	CABLE RETURN SPRING
48	NYLON WASHER
49	PUMP COVER
50	6 - 32 UNC SCREW
51	CNC BODY
52	THROTTLE SHAFT CLIP
53	4-40 UNC SCREW
54	SPLIT THROTTLE SHAFT
55	O-RING
56	THROTTLE RETURN SPRING
57	SPLIT THROTTLE SHAFT SHORT
58	METERING COVER
59	WELCH PLUG

**Substitutions sont autorisées uniquement avec les pièces originales TILLOTSON /
Replacement is allowed only with TILLOTSON original parts**